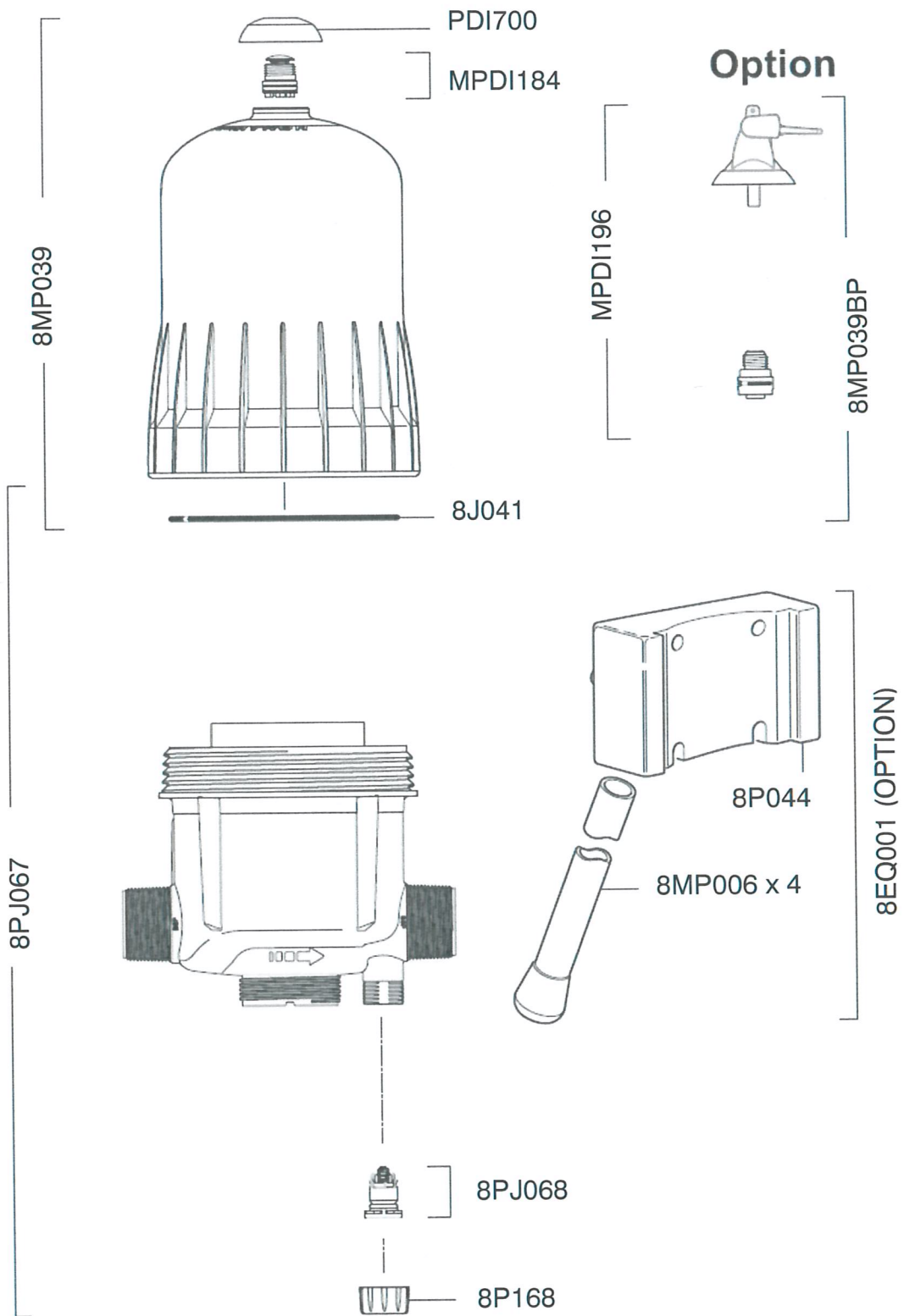


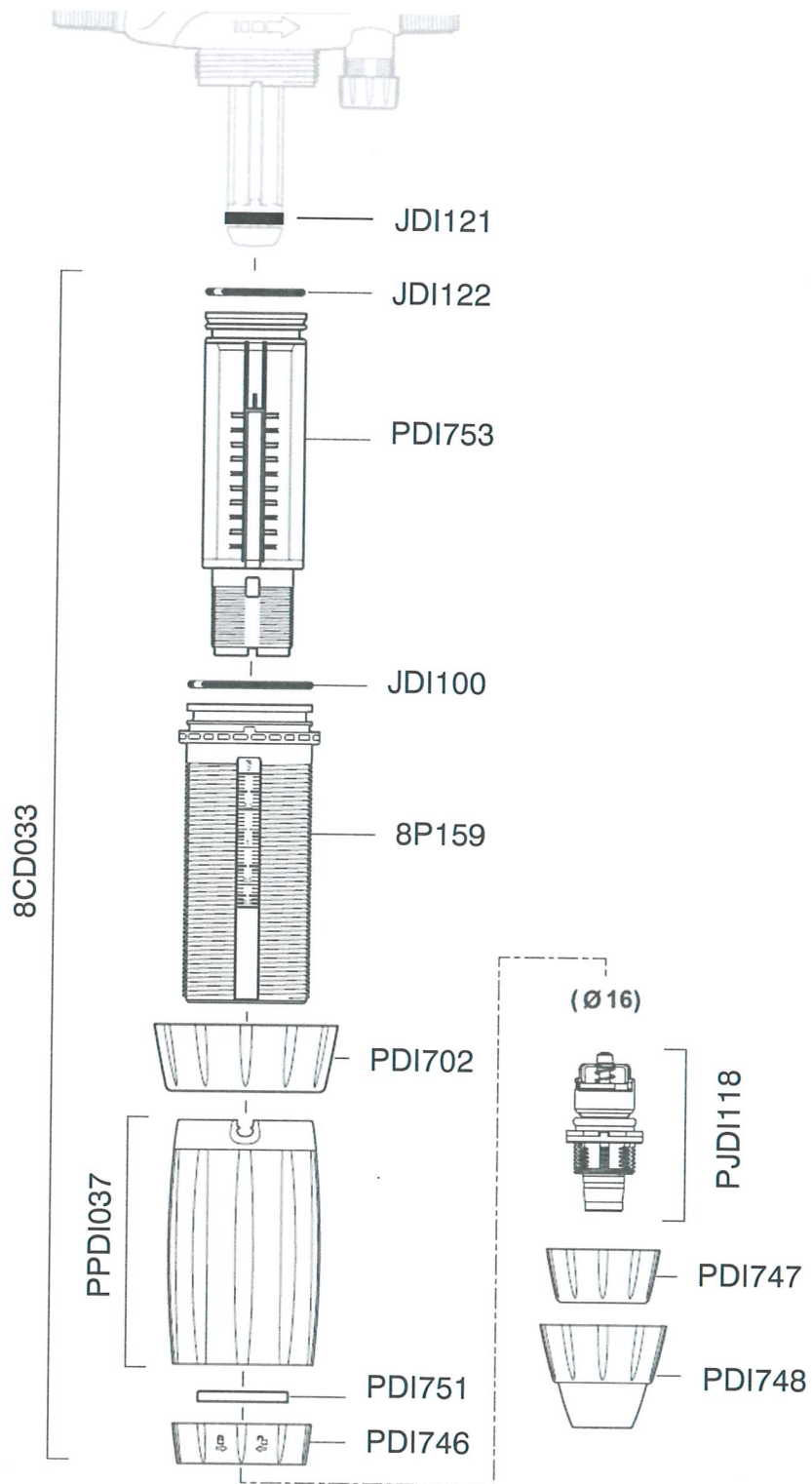
DOSATRON D8RE2

8 m³/h - 0.2% - 2%
0.15 – 8 bar



DOSATRON D8RE2

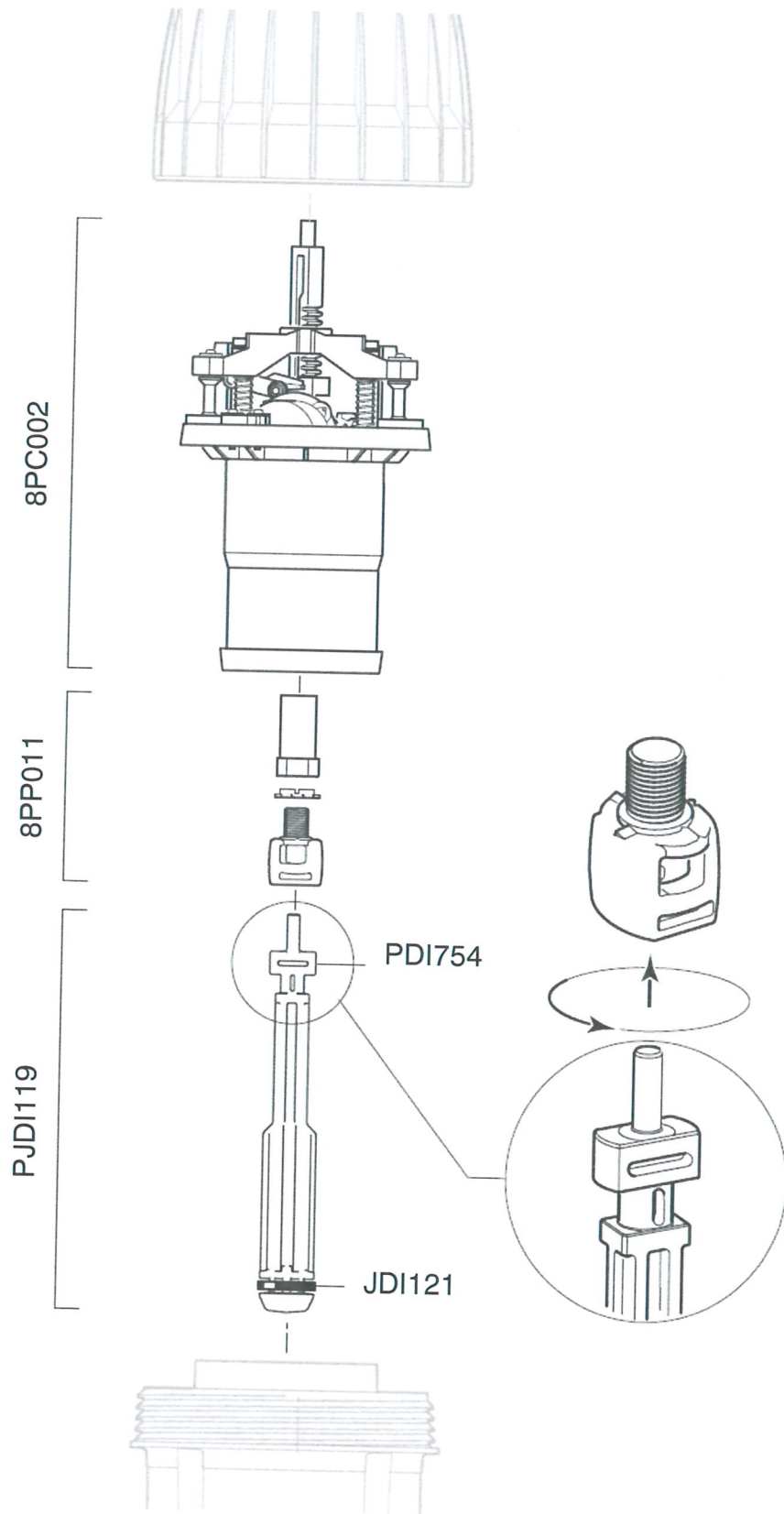
8 m³/h - 0.2% - 2%
0.15 – 8 bar



PJDI120V – Seal Set, Non Return Valve and Barbed Fitting (Ø 16):-
(JDI121, JDI122, JDI100, PJD118)

DOSATRON D8RE2

8 m³/h - 0.2% - 2%
0.15 – 8 bar



DOSATRON D8RE2

8 m³/h - 0.2% - 2%
0.15 – 8 bar

