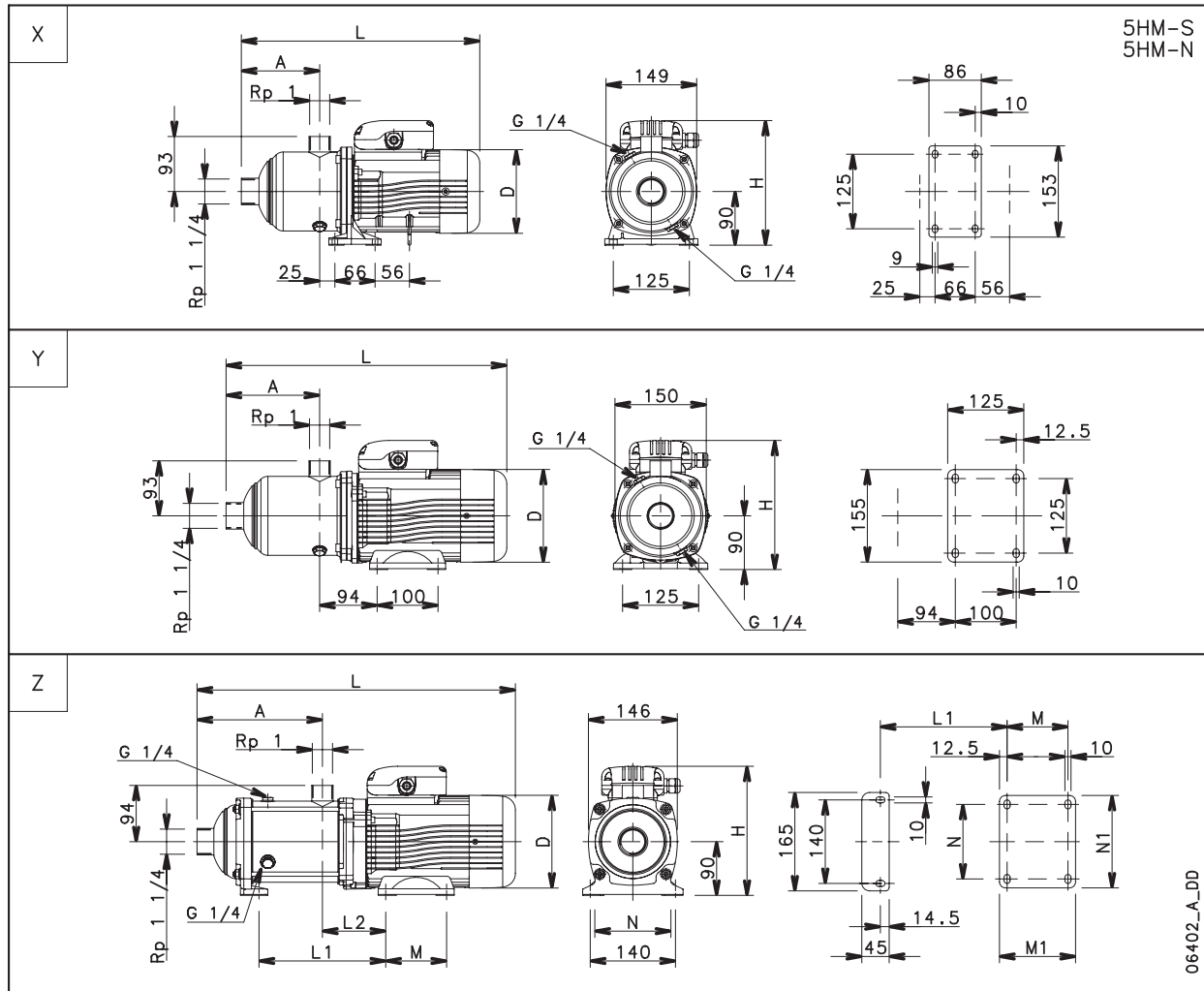


### 5HM..S - 5HM..N SERIES, (2 TO 9 STAGES) DIMENSIONS AND WEIGHTS AT 50 HZ, 2 POLES



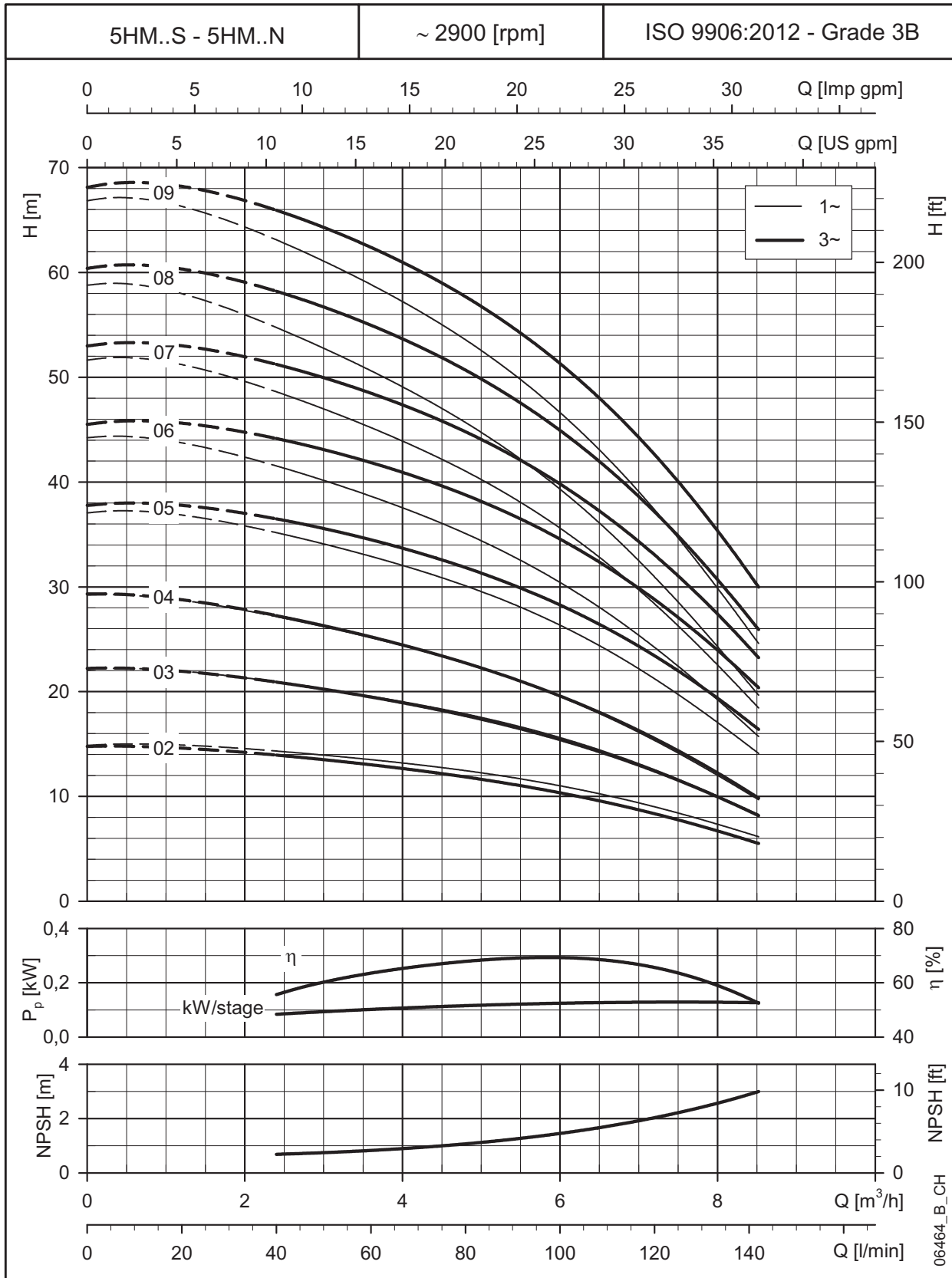
06402\_A\_DD

PUMP TYPE	VERSION	Ref.	MOTOR		DIMENSIONS (mm)										PN	WEIGHT	
			kW	SIZE	A	D	H	L	L1	L2	M	M1	N	N1			bar
5HM02	SINGLE-PHASE	X	0,50	63	104	120	201	353	-	-	-	-	-	-	10	7	
5HM03			0,50	63	104	120	201	353	-	-	-	-	-	-	10	7	
5HM04			0,50	63	129	120	201	378	-	-	-	-	-	-	10	8	
5HM05		Z	Z	0,75	71	154	140	211	417	-	-	-	-	-	-	10	10
5HM06				0,75	71	158	140	211	430	158	104	100	125	125	155	10	11
5HM07				0,95	71	183	140	220	455	183	104	100	125	125	155	10	13
5HM08		Z	Z	0,95	71	208	140	220	480	208	104	100	125	125	155	10	13
5HM09				1,1	80	233	155	227	550	233	104	100	125	125	155	10	17

5HM02	THREE-PHASE	X	0,30	63	104	120	201	353	-	-	-	-	-	-	10	6	
5HM03			0,40	63	104	120	201	353	-	-	-	-	-	-	10	7	
5HM04			0,50	63	129	120	201	378	-	-	-	-	-	-	10	8	
5HM05		Z	Z	0,75	80	154	155	219	462	-	-	-	-	-	-	10	13
5HM06				1,1	80	158	155	219	475	158	104	100	125	125	155	10	15
5HM07				1,1	80	183	155	219	500	183	104	100	125	125	155	10	16
5HM08		Z	Z	1,1	80	208	155	219	525	208	104	100	125	125	155	10	16
5HM09				1,5	80	233	155	219	550	233	104	100	125	125	155	10	18

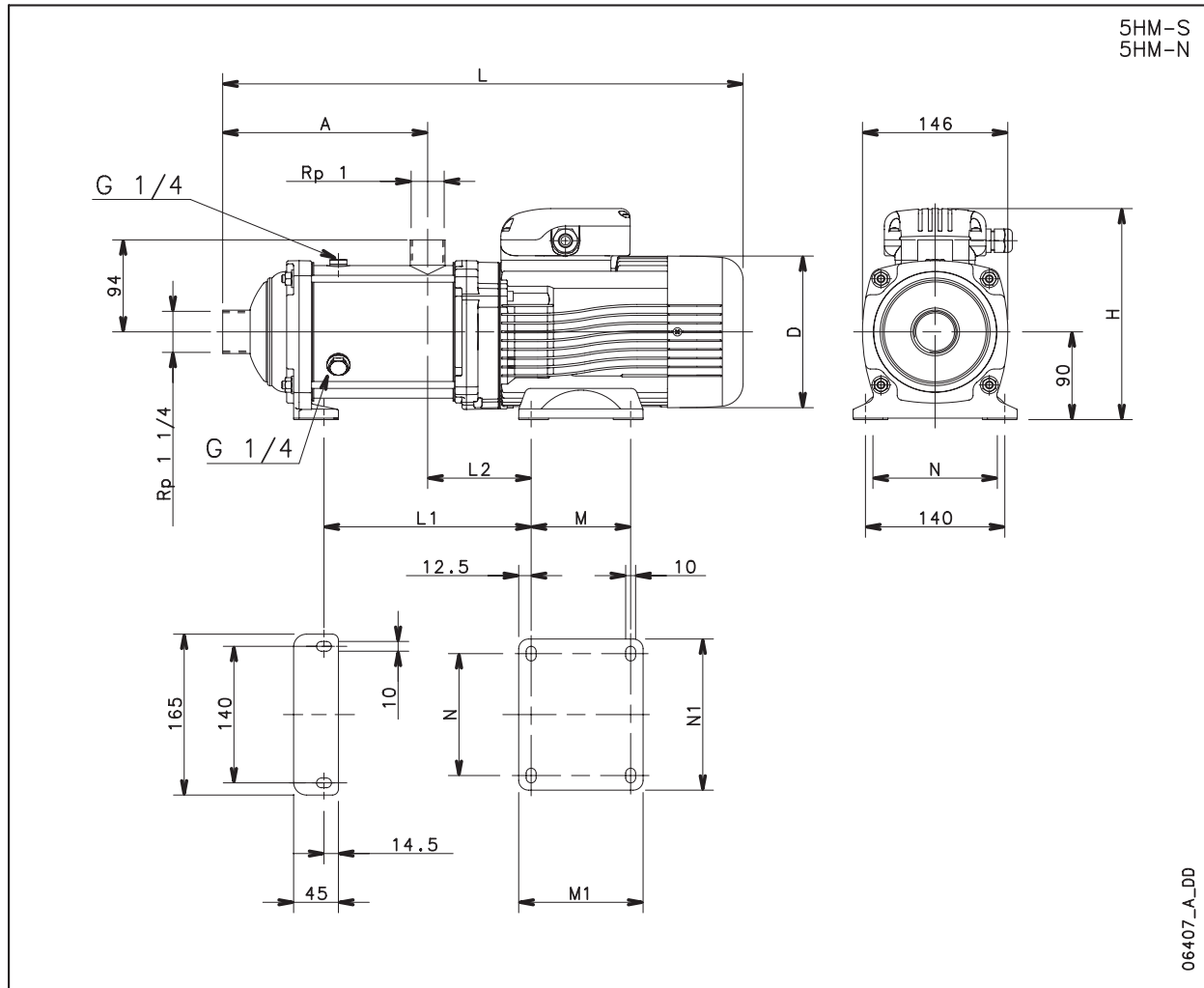
5hm-s-n-2p50-1-en\_c\_td

**5HM..S - 5HM..N SERIES, (2 TO 9 STAGES)**  
**OPERATING CHARACTERISTICS AT 50 Hz, 2 POLES**



These performances are valid for liquids with density  $\rho = 1.0 \text{ Kg/dm}^3$  and kinematic viscosity  $\nu = 1 \text{ mm}^2/\text{sec}$ .

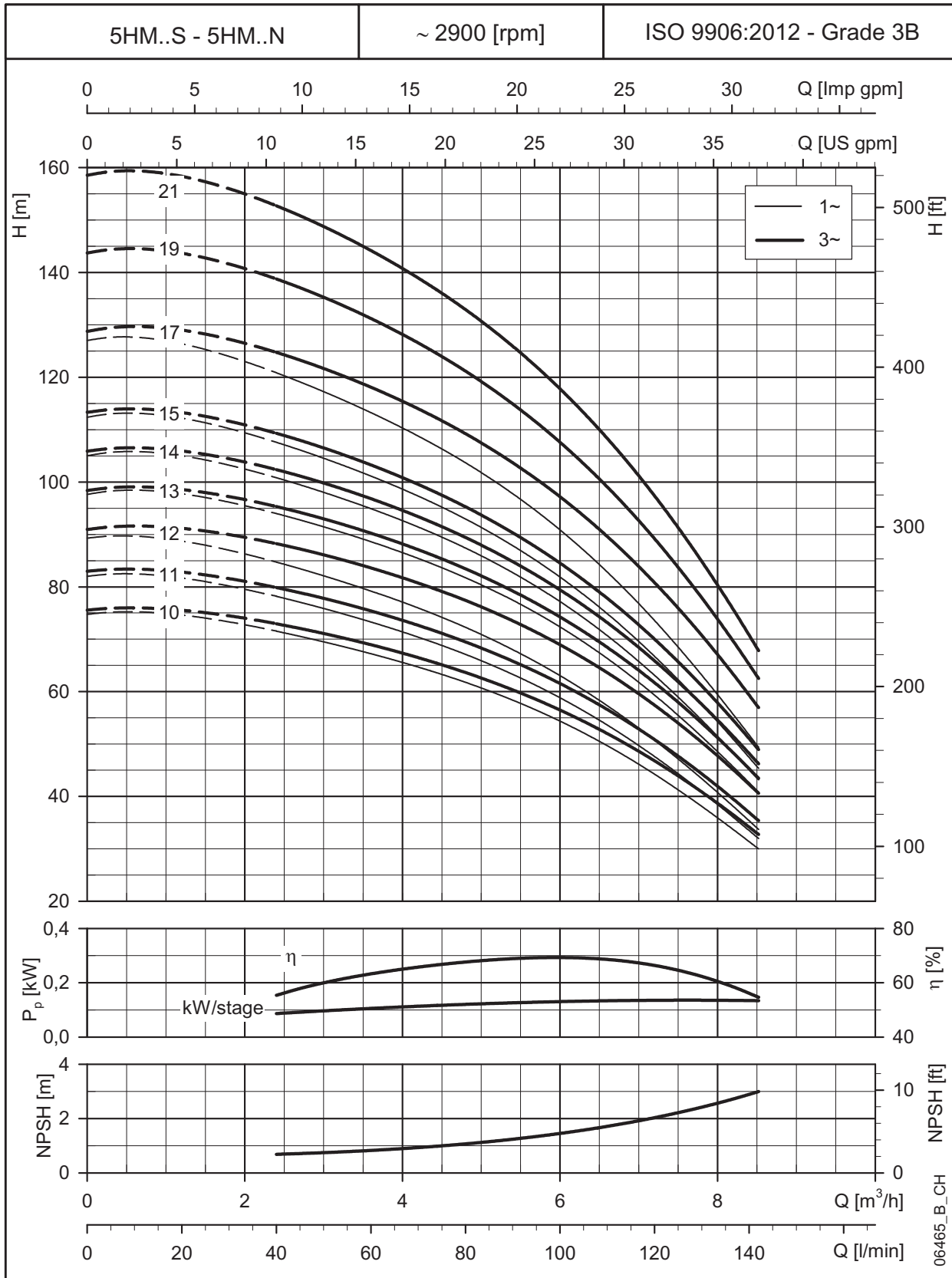
### 5HM..S - 5HM..N SERIES, (10 TO 21 STAGES) DIMENSIONS AND WEIGHTS AT 50 HZ, 2 POLES



PUMP TYPE	VERSION	MOTOR		DIMENSIONS (mm)										PN	WEIGHT
		kw	SIZE	A	D	H	L	L1	L2	M	M1	N	N1	bar	kg
5HM10	SINGLE-PHASE	1,5	80	258	155	227	575	258	104	100	125	125	155	10	18
5HM11		1,5	80	283	155	227	600	283	104	100	125	125	155	10	18
5HM12		1,5	80	308	155	227	625	308	104	100	125	125	155	10	19
5HM13		2,2	90	333	174	249	706	356	127	125	150	140	164	10	27
5HM14		2,2	90	358	174	249	731	381	127	125	150	140	164	16	28
5HM15		2,2	90	383	174	249	756	406	127	125	150	140	164	16	28
5HM17		2,2	90	433	174	249	806	456	127	125	150	140	164	16	29

5HM10	THREE-PHASE	1,5	80	258	155	227	575	258	104	100	125	125	155	10	18
5HM11		1,5	80	283	155	227	600	283	104	100	125	125	155	10	19
5HM12		2,2	90	308	174	224	681	308	127	125	150	140	164	10	24
5HM13		2,2	90	333	174	224	706	356	127	125	150	140	164	10	24
5HM14		2,2	90	358	174	224	731	381	127	125	150	140	164	16	25
5HM15		2,2	90	383	174	224	756	406	127	125	150	140	164	16	25
5HM17		3	90	433	174	224	806	456	127	125	150	140	164	16	29
5HM19		3	90	483	174	224	856	506	127	125	150	140	164	16	30
5HM21		3	90	533	174	224	906	556	127	125	150	140	164	16	31

**5HM..S - 5HM..N SERIES, (10 TO 21 STAGES)**  
**OPERATING CHARACTERISTICS AT 50 Hz, 2 POLES**



These performances are valid for liquids with density  $\rho = 1.0 \text{ Kg/dm}^3$  and kinematic viscosity  $\nu = 1 \text{ mm}^2/\text{sec}$ .